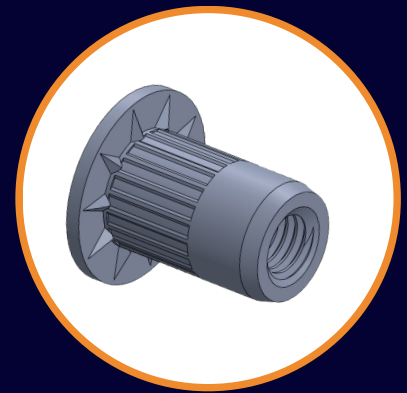


SHEREX OPTISERT®

The New Standard in Round Body Rivet Nut

Superior Strength & Performance | Versatile | Efficient



Design Makes the Difference

- **Advantage 1:** Proven to meet Class 8 and Grade 5 thread proof load
- **Advantage 2:** Increased spin out resistance over other round body rivet nuts
- **Advantage 3:** Provide a strong thread in softer materials like aluminum, plastic, and fiberglass

Open end rivet nuts have superior strength over other round body, wedgehead rivet nuts

Forged from steel for increased strength and durability



Optional closed end design provides a sealed option that does not compromise the biting effect of the wedges



Underhead wedges bite into that material for spin out resistance

Knurled body design provides superior grip to avoid it from easily spinning in the base material



Talk to
an Expert